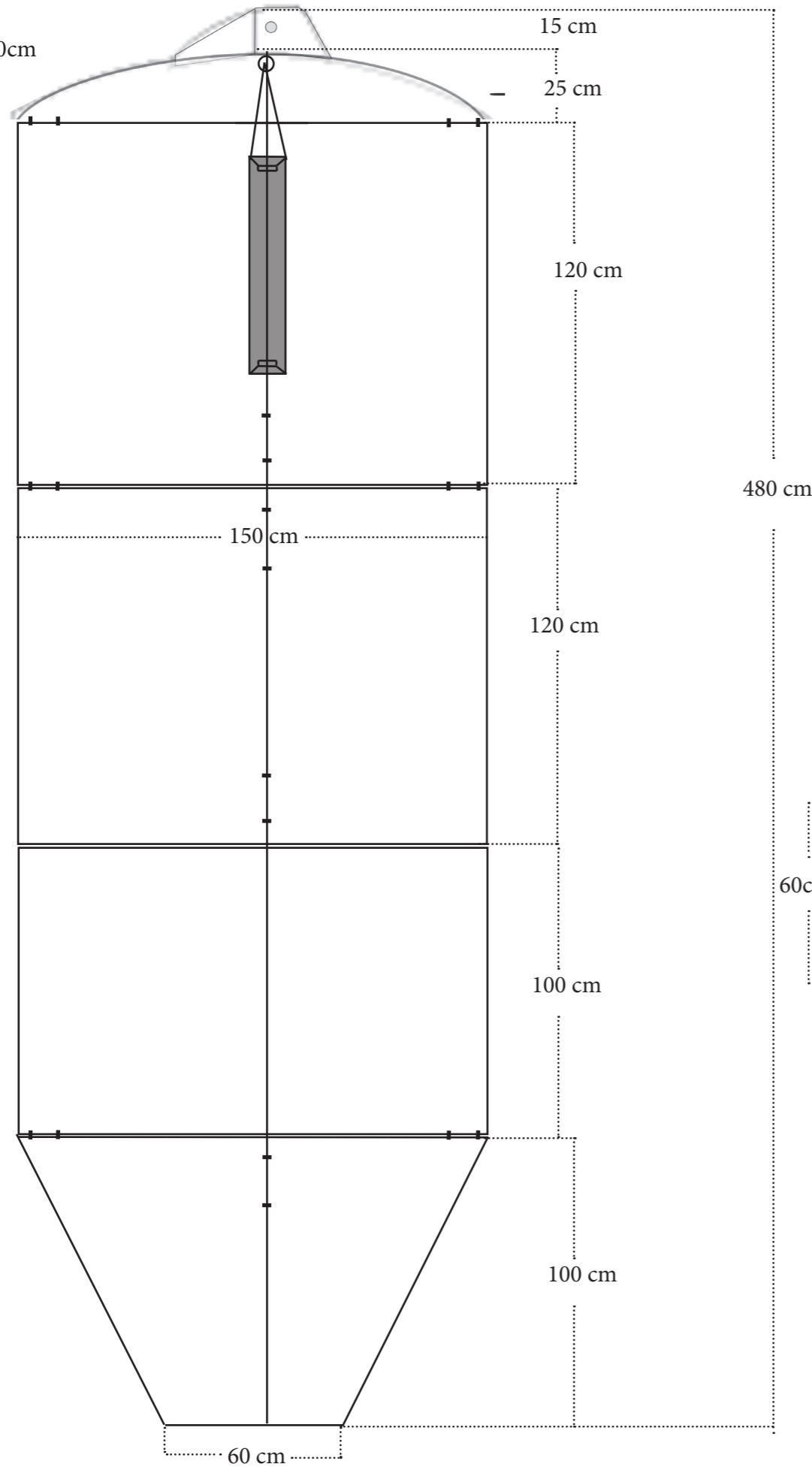
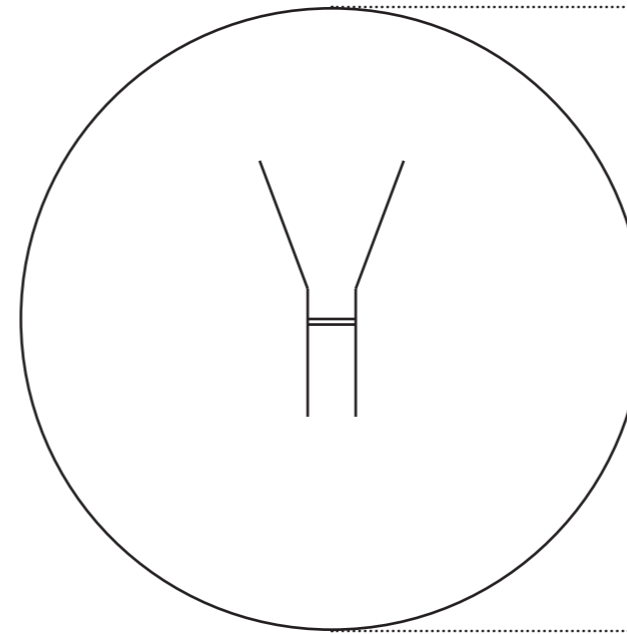


Suspended Silo  
150cm x 150cm x 480cm

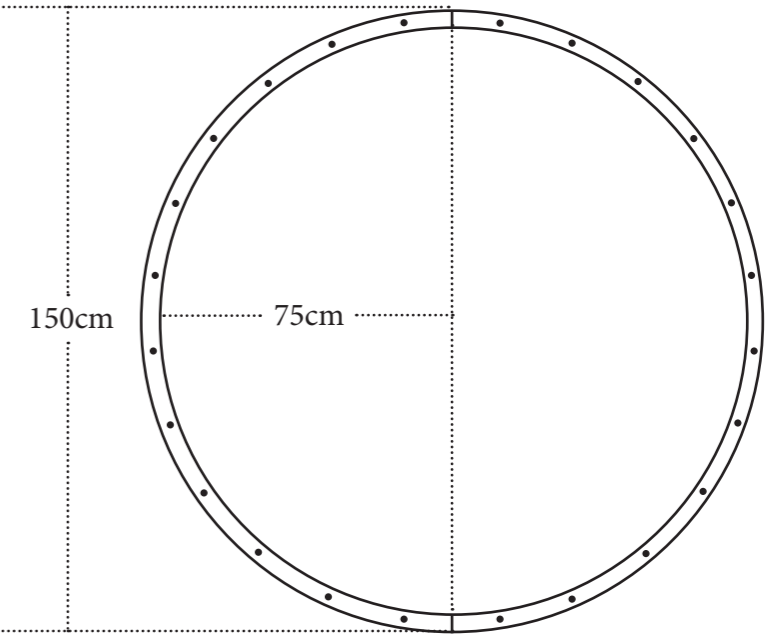
speaker system  
created separately



Top section in one part  
150cm x 150cm x 40cm

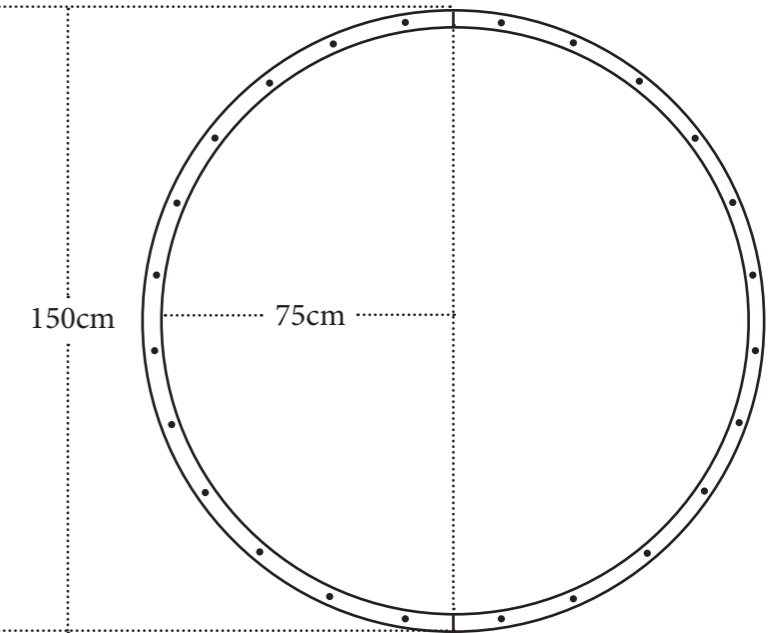
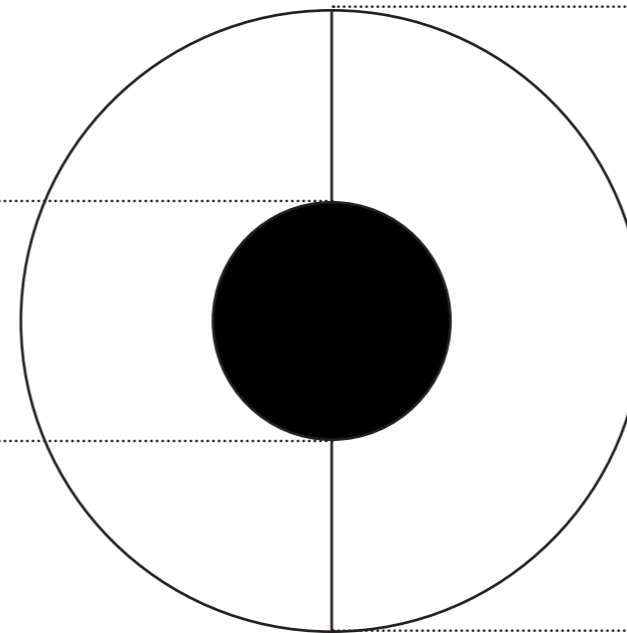


Higher middle section in two parts  
150cm x 75cm x 120cm each



480 cm

60cm



Bottom section in two parts  
150cm x 75cm x 100cm each  
Tapering to a 60cm aperture

Middle and Lower middle section  
150cm x 75cm x 120cm each  
and  
150cm x 75cm x 100cm each

All lip and bolt  
connections  
on the inside